

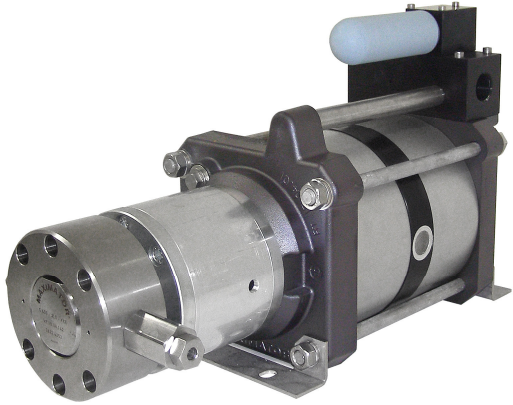
# MAXIMATOR®

maximum pressure

## Technical Data Sheet

G500-2 (L)S-771-5U

» Oil service 



G500-2 (L)S  
single acting, double air drive head  
(Only side inlet available)

### Technical Data:

Air drive pressure:	1-10 bar / 14,5 - 145psi
Calculated Outlet Pressure at an air drive of 10 bar/145 psi:	7,000 bar/ 101,500 psi
Pressure ratio:	1:1,038
Displacement volume/double stroke	1.9 cm <sup>3</sup> / 0.12 cu.inch

### Connections:

Inlet:	Side inlet: 1/4 BSP
Outlet:	Standard: 5U (5/8-18UNF)
Air drive:	3/4 BSP
Maximum operating temperature:	60°C
Net weight:	22.0 kg

Pressure and flow performances, please see enclosed graph.

### Wetted materials of construction:

Seal package:	G500-2(L)S: Polyurethan, NBR
Pump Body:	1.6358
Piston:	1.4112 (hardened)
Fittings:	1.6358

### Approximate Dimensions:

Height:	462 mm
Depth:	211 mm
Width:	272 mm

### Available Options:

Side inlet	G500-2(L)S
Special inlet and outlet ports, i.e. NPT	G500-2(L)S-NPT
Special seal material to handle special fluids on request.	

### Available Accessories:

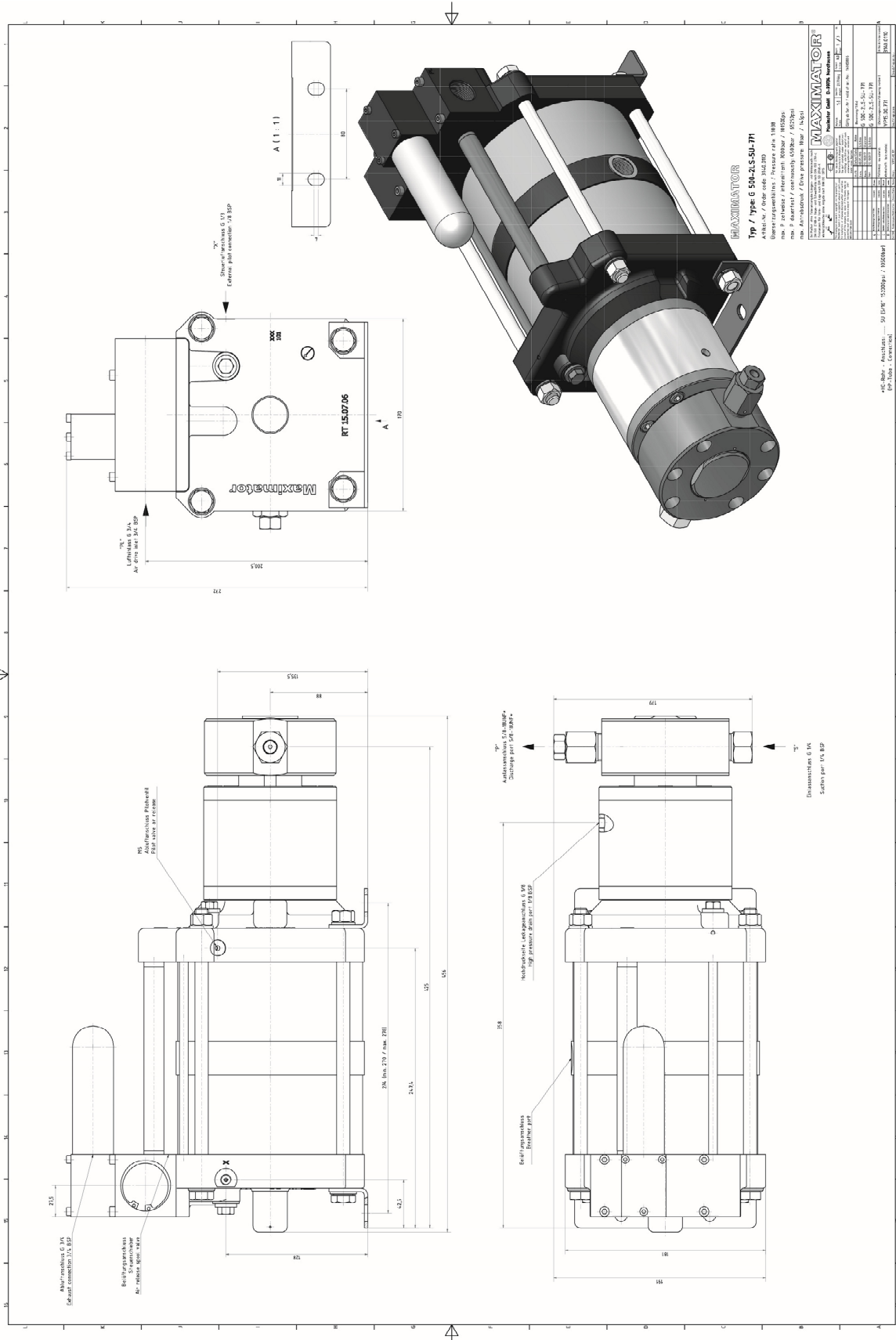
Air control units with filter pressure regulator, control pressure gauge and shut off valve:	G500-2(L)S with C2
To protect the pump against excessive outlet pressures or to limit the outlet pressure, a safety valve can be fitted to the air control unit in the air drive line:	G500-2(L)S with C2/SVair (The required outlet pressure has to be indicated.)

 **For operating pressures above 4,000 bar (58,000 psi) common hydraulic fluids can't be used. We recommend the use of Maxi-fluid (Item Code: 1090.0270) which will remain in the liquid phase at pressure levels.**

Please consult factory for more information. All technical and dimensional information subject to change. All General Terms and Conditions of sale, including limitations of our liability, apply to all products and services sold.

# MAXIMATOR®

maximum pressure



## Leistungsdiagramm/Performance Graph G 500 -2LS- 771

Prüfflüssigkeit/Test Liquid: Wasser-Öl-Emulsion/Water Oil Emulsion ca. 1 - 10 cst

