

MAXIMATOR®

maximum pressure

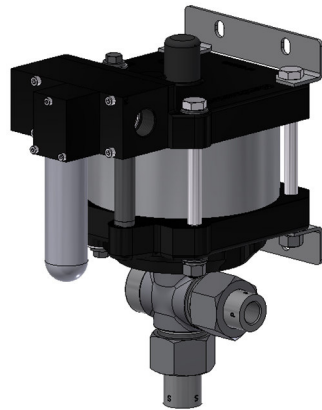
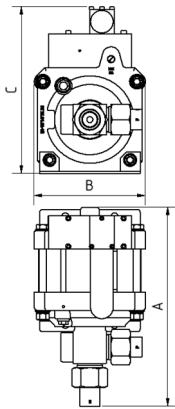
Technical Data Sheet

G150 (L)

» Oil service

G150 (L) VE

» Water service



G150 (L)
single acting, single air drive head
(Standard= Bottom inlet)

Technical Data:

Air drive pressure:	1 - 10 bar / 14.5 - 145 psi
Calculated working pressure:	1450 bar / 21025 psi
Pressure ratio:	1:151
Displacement volume/double stroke:	6.6 cm ³ / 0.4 cu.inch

Connections:

Inlet:	Standard: Bottom Inlet 3/4" BSP
Outlet:	1/2" BSP
Air drive:	3/4" BSP
Maximum operating temperature:	60°C
Net weight:	13.5 kg

Pressure and flow performances, please see enclosed graph.

Wetted materials of construction:

Seal package:	G150(L): Polyurethane, NBR G150(L)VE: UHMWPE, FKM
---------------	--

Pump Body: 1.4313

Piston: 1.4542

Fittings: 1.4542

Approximate Dimensions:

A: 325 mm

B: 181 mm

C: 272 mm

Available Options:

Seal material for oil service: G150 (L)

Seal material for water service: G150(L)VE

Side inlet: G150(L)S/ G150(L)VES

Special inlet and outlet ports, i.e. NPT: G150(L)-NPT

G150(L)VE-NPT

Special seal material to handle special fluids on request.

Available Accessories:

Air control units with filter pressure regulator, control pressure gauge and shut off valve: G150(L) with C2

To protect the pump against excessive outlet pressures or to limit the outlet pressure, a safety valve can be fitted to the air control unit in the air drive line. G150(L) with C2/SV-air (The required outlet pressure has to be indicated.)

Please consult factory for more information. All technical and dimensional information subject to change. All General Terms and Conditions of sale, including limitations of our liability, apply to all products and services sold.

Leistungsdiagramm/Performance Graph G(SF) 150

Prüfflüssigkeit/Test Liquid: Wasser-Öl-Emulsion/Water Oil Emulsion ca. 1 - 10 cst

