

# MAXIMATOR®

maximum pressure

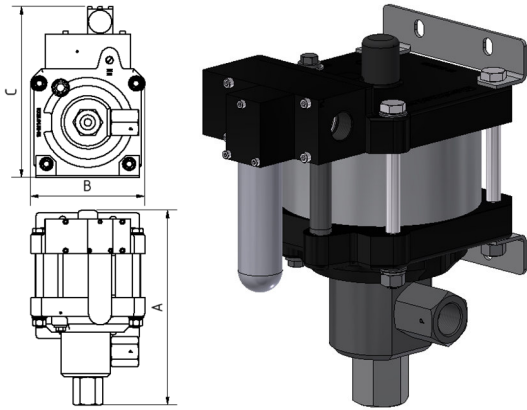
## Technical Data Sheet

G35 (L)

» Oil service

G35 (L) VE

» Water service



G35 (L)  
single acting, single air drive head  
(Standard= Bottom inlet)

### Technical Data:

Air drive pressure: 1 - 10 bar / 14.5 - 145 psi

Calculated working pressure 400 bar/ 5800 psi

Pressure ratio: 1:40

Displacement volume/double stroke: 24.5 cm<sup>3</sup> / 1.49 cu.inch

### Connections:

Inlet: Standard: Bottom Inlet 3/4" BSP

Outlet: 3/4" BSP

Air drive: 3/4" BSP

Maximum operating temperature: 60°C

Net weight: 14.5 kg

Pressure and flow performances, please see enclosed graph.

### Wetted materials of construction:

Seal package: G35(L): Polyurethane, NBR  
G35(L)VE: UHMWPE, FKM

Pump Body: 1.4404

Piston: 1.4542

Fittings: G35(L): 1.4305

G35(L)VE: 1.4404

### Approximate Dimensions:

A: 309.5 mm

B: 181 mm

C: 272 mm

### Available Options:

Seal material for oil service: G35 (L)

Seal material for water service: G35(L)VE

Side inlet: G35(L)S/ G35(L)VES

Special inlet and outlet ports, i.e. NPT: G35(L)-NPT

G35(L)VE-NPT

Special seal material to handle special fluids on request.

### Available Accessories:

Air control units with filter pressure regulator, control pressure gauge and shut off valve: G35(L) with C2

To protect the pump against excessive outlet pressures or to limit the outlet pressure, a safety valve can be fitted to the air control unit in the air drive line. G35(L) with C2/SV-air (The required outlet pressure has to be indicated.)

**Please consult factory for more information.** All technical and dimensional information subject to change. All General Terms and Conditions of sale, including limitations of our liability, apply to all products and services sold.

## Leistungsdiagramm/Performance Graph G(SF) 35

Prüfflüssigkeit/Test Liquid: Wasser-Öl-Emulsion/Water Oil Emulsion ca. 1 - 10 cst

